



Capacitive Sensors S26 Series 40 - NAMUR EN 60947-5-6

Type of construction G 1"

- For use in areas with the risk of dust explosion, zone 20
- or use in areas with the risk of gas explosion, zone 0
- Housing material: PTFE
- Special version with flange. Sealing can be made with a gasket or PTFE-tape (not delivered with the sensor)
- With flange connector M 12 x 1

DMT 03 ATEX E 048

IECEx BVS 07.0031

Ex II 1G Ex ia IIC T1-T6 Ga

Ex ia IIC T1-T6 Ga

Ex II 1D Ex ia IIIC T101°C Da

Ex ia IIIC T101°C Da

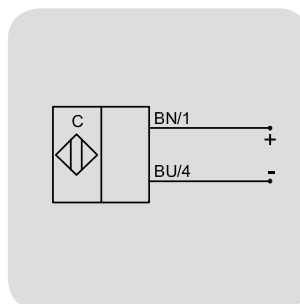
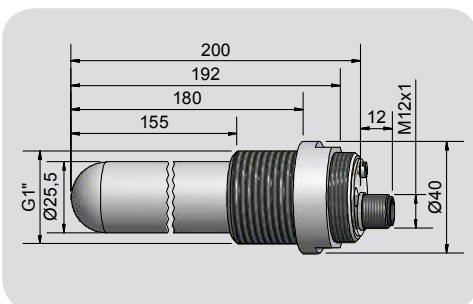


Technical data	Non-flush mountable
Level sensor, in contact with the product	Medium dependent adjustable
Operating distance min. / max. adjustable	0...15 mm
Electrical version	2-pin DC
Output function	NAMUR DIN 60947-5-6
Type	KAS-40-26-N-K-G1"-200-PTFE-Y5-StEx
Art.-No.	KA 1231
Operating voltage (U _B)	5 - 15 V DC, U _I = 15 V DC
Output current active surface free	< typ. 1.5 mA
Output current active surface covered	> typ. 3 mA
Self-inductance (L)	0.2 mH
Self-capacitance (C)	250 nF
Permitted residual ripple max.	5 %
Frequency of operating cycles max.	50 Hz
Permitted ambient temperature	0...+70 °C / CIP 121 °C (zero-current)
LED-display	Yellow
Degree of protection IEC 60529	IP 67*
Connection	Flange connector M 12 x 1
Housing material	PTFE (FDA 21 CFR 177.1550)
Active surface	PTFE (FDA 21 CFR 177.1550)
Lid	PC (FDA 21 CFR 177.1580)
Accessories (delivered with the sensor)	Protective clip
Accessories (not delivered with the sensor): For varivent adapter, triclamp adapter, welding socket and matching connectors please see our selection of accessories.	

Capacitive Sensors S26 with hemispherical active surface for level control of products with a dielectric constant ϵ_r as of 1,1. Products can be:

- Bulk material, like plastic granules, powder, cereals, etc.
- Liquids, like water, juice, wine, oil, chemicals or pharmaceutical solutions and much more.
- Pastes in the food processing industry, liquid glue, resins or glue, etc.

* With sealed potentiometer screw



Made in Germany

All specifications are subject to change without notice. (01/2018)